

TCM 130 EnOcean User Programmable

The TCM 130 is a software API for the transceiver module TCM 120 of EnOcean. It enables the realization of bi-directional RF applications based on the innovative EnOcean 868 MHz radio technology.

Basic functionalities:

- Bi-directional interface for EnOcean radio telegrams
 - All different kinds of EnOcean radio telegrams can be generated and received
 - The TCM 130 can send on 128 different IDs (derived from 1 base number)
 - Integrated filter and repeater functionality
- Bi directional series interface support (9.6 kbps – 57.6 kbps)
- Read analog and digital inputs, write digital outputs
- EEPROM read / write
- Timer functionality
- Various power-down modes (down to 100nA!)



Type
TCM 120

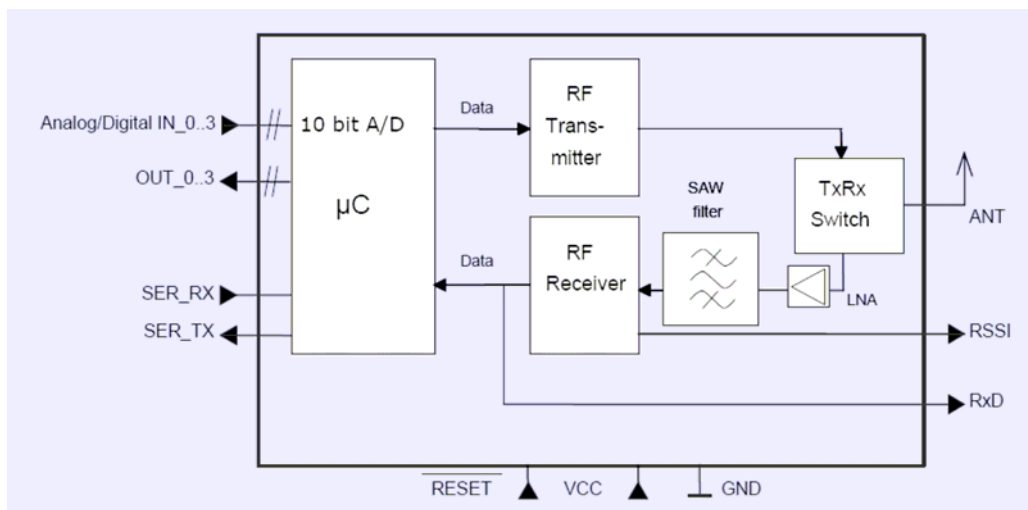
Ordering Code
S3003-K120

Type
TCM 130 Starter Kit

Ordering Code
S3004-K130

Features overview

Type	Content & Description
TCM 120	Bi-directional radio module
TCM 130 Starter Kit	Library on CD-ROM + Evaluation board + Adapter for Microchip MPLAB ICD 2*) + TCM 120 modules



*)MPLAB IDC 2 and MPLAB C18 C-Compiler have to be purchased from Microchip
MPLAB IDE is available for free download from www.microchip.com