

MATERIAL AND FINISHES:

FME CONNECTOR

BODY : BRASS
PLATED : NICKEL

CENTER CONTACT : BRASS
PLATED : GOLD

INSULATOR : TEFLON

NUT : BRASS
PLATED : NICKEL

WASHER : PHOSPHOR BRONZE
PLATED : NICKEL

UFL CONNECTOR:

SHELL : PHOSPHOR BRONZE
PLATED : TIN

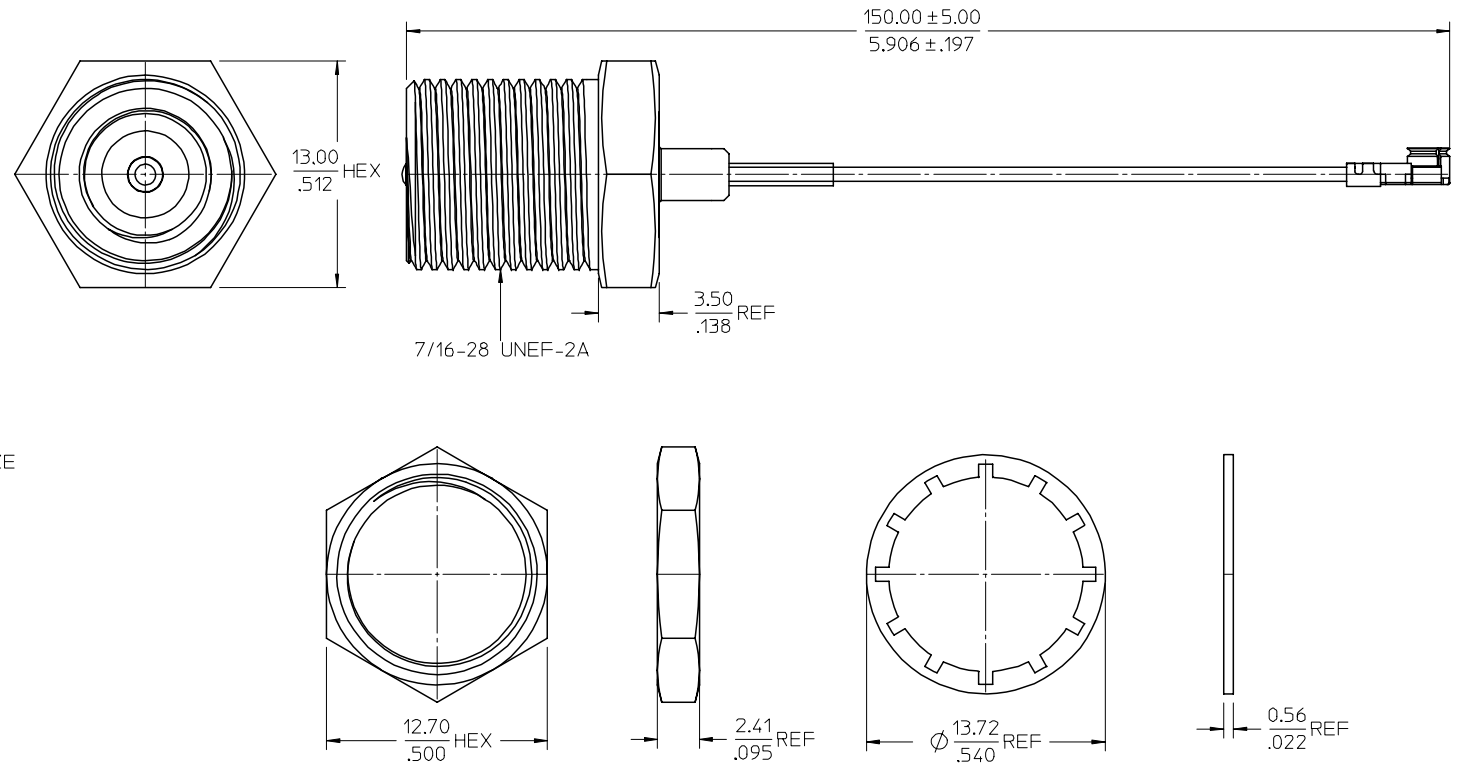
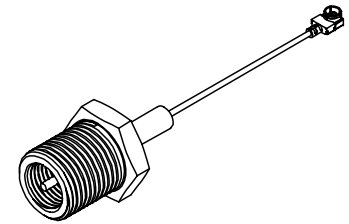
CENTER CONTACT : PHOSPHOR BRONZE
PLATED : GOLD

INSULATOR : PBT

CABLE : DIA. 0.80 CABLE

HEAT SHRINK TUBE : VERSAFIT V2

PACKAGING BY BAG



<p>NEW RELEASED EDC: 06/12/2006 DRN: SCHOU 2006/06/06 CHKD: 2006/06/06 APPR: MHIANG 2006/06/06</p>	QUALITY SYMBOLS	GENERAL TOLERANCES (UNLESS SPECIFIED)	DIMENSION STYLE	SCALE	DESIGN UNITS	THIRD ANGLE PROJECTION																		
	<p>▽=0 ▽=0</p>	<table border="1"> <tr> <th></th> <th>mm</th> <th>INCH</th> </tr> <tr> <td>4 PLACES</td> <td>± ---</td> <td>± ---</td> </tr> <tr> <td>3 PLACES</td> <td>± ---</td> <td>± ---</td> </tr> <tr> <td>2 PLACES</td> <td>± ---</td> <td>± ---</td> </tr> <tr> <td>1 PLACE</td> <td>± ---</td> <td>± ---</td> </tr> <tr> <td colspan="3">ANGULAR ± --- °</td> </tr> </table>		mm	INCH	4 PLACES	± ---	± ---	3 PLACES	± ---	± ---	2 PLACES	± ---	± ---	1 PLACE	± ---	± ---	ANGULAR ± --- °			MM/IN	MM/IN	METRIC	
		mm	INCH																					
	4 PLACES	± ---	± ---																					
3 PLACES	± ---	± ---																						
2 PLACES	± ---	± ---																						
1 PLACE	± ---	± ---																						
ANGULAR ± --- °																								
DESCRIPTION	MATERIAL NO.	DRAWN BY	DATE	TITLE	CABLE ASSY,FME JACK STR BLKHD TO U,FL,0.8 CABLE 50 OHMS, CA-FME/U,FL																			
REV	89761-1790	JOYCE	2006/03/13	MOLEX INCORPORATED	MOLEX INCORPORATED DOCUMENT NO. SD-89761-179 SHEET NO. 1 OF 1																			